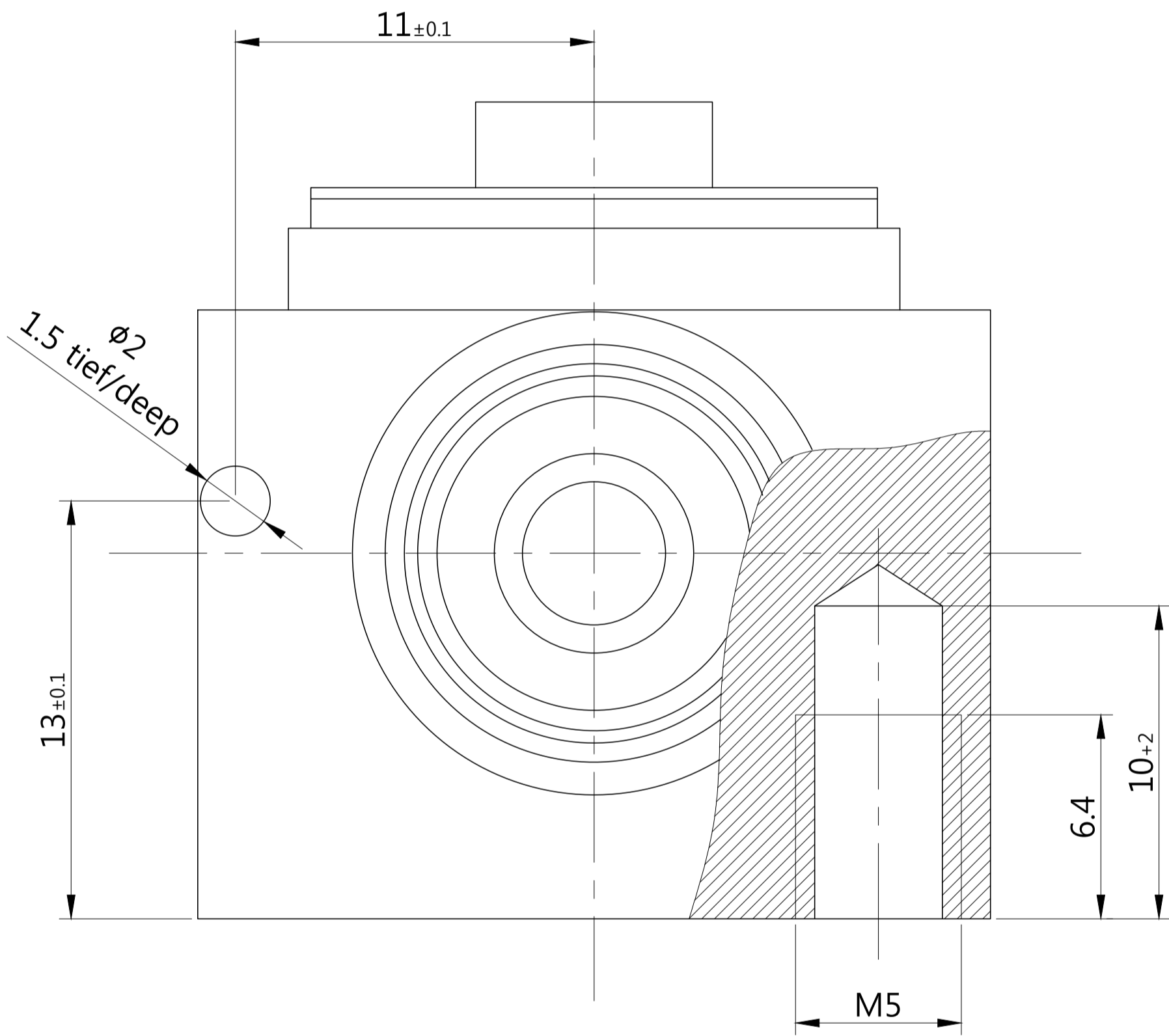


REVISION					BILL OF MATERIALS					
Rev.	DESCRIPTION	APP	DWN	DATE	Mark	Q'TY	UOM	DESCRIPTION & SPECIFICATIONS	MATERIAL	STOCK CODE
0	ISSUED FOR APPROVAL	KIM.HI	LEE.YN	13.05.22						



WIKI KOREA LTD.	DWG. DESCRIPTION	WCS-15, Bottom drawing			DRAWIN	LEE.YN 13.05.22	CHECK	KIM.HI 13.05.22
	DWG No.	20130522			SCALE	NTS	SHEET	1/1
<small>NOTICE</small> THIS DRAWING IS THE PROPERTY OF WIKI KOREA LTD. AND POSSESSION DOES NOT CONVEY THE RIGHT TO REPRODUCE OR MANUFACTURE IN WHOLE OR IN PART WITHOUT PERMISSION. END USER ASSUMES ALL RESPONSIBILITY FOR PROCESS COMPATIBILITY.				Rev.No	0			